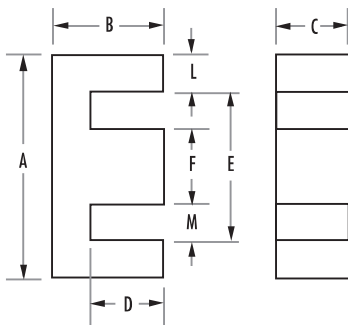


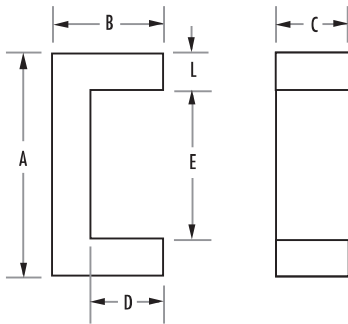
# Dimension Drawings

# Magnetic Data

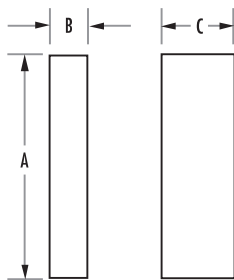
TABLE 2



E CORES



U CORES



BLOCKS

E CORES	$A_L$ nH/T $^2 \pm 8\%$				Path Length $l_e$ (mm)	Cross Section $A_e$ (mm $^2$ )	Volume $V_e$ (mm $^3$ )
	26 $\mu$	40 $\mu$	60 $\mu$	90 $\mu$			
1808E	26	35	48	69	40.1	22.8	914
2510E	39	52	70	100	48.5	38.5	1,870
3007E	33	46	71	92	65.6	60.1	3,940
3515E	56	75	102	146	69.4	84.0	5,830
4017E	56	76	105	151	98.4	128	12,600
4020E	80	108	150	217	98.4	183	18,000
4022E	104	140	194	281	98.4	237	23,300
4317E	88	119	163	234	77.5	152	11,800
5528E	116	157	219	322	123	350	43,100
5530E	138	187	261	382	123	417	51,300
6527E	162	230	300	-	147	540	79,400
7228E	130	173	235	-	137	368	50,400
8020E	103	145	190	-	185	389	72,000
8024E	200	275	370	-	131.4	600	78,840
8044E	91	113	170	-	208	389	80,900
114LE	235	335	445	-	215	1,220	262,000
130LE	254	-	-	-	219	1,080	237,000
160LE	180	-	-	-	273	778	212,000

U CORES*	$A_L$ nH/T $^2 \pm 8\%$				Path Length $l_e$ (mm)	Cross Section $A_e$ (mm $^2$ )	Volume $V_e$ (mm $^3$ )
	26 $\mu$	40 $\mu$	60 $\mu$	90 $\mu$			
3112U	-	92	111	179	65.6	101	6,630
4110U	-	56	78	109	85.2	80	6,820
4111U	-	72	95	138	85.2	101	8,600
4119U	-	110	151	218	85.2	159	13,600
5527U	67	-	-	-	168	172	28,900
5529U	85	-	-	-	168	244	41,000
6527U	89	-	-	-	219	270	59,100
6533U	82	-	-	-	199	250	49,800
7236U	87	-	-	-	219	290	63,500
8020U	64	-	-	-	273	195	53,200
8038U	97	-	-	-	237	354	83,900

BLOCKS	$A_L$ nH/T $^2 \pm 8\%$	Path Length $l_e$ (mm)	Cross Section $A_e$ (mm $^2$ )	Volume $V_e$ (mm $^3$ )
4741B	**	**	**	53,600
5030B	**	**	**	23,000
5528B	**	**	**	31,200
6030B	**	**	**	27,000
7020B	**	**	**	28,600
7030B	**	**	**	42,800
8030B	**	**	**	48,800
9541B	**	**	**	107,200

\* U Cores currently available in Kool Mu only. Contact Magnetics for XFlux availability.

\*\* Dependent on design configurations. Contact Magnetics for assistance.