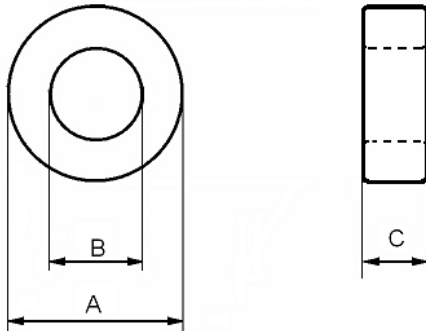




# C058930A2

110 Delta Drive  
 Pittsburgh, PA 15238  
 Phone: 412/696-1333  
 Fax: 412/696-0333  
 Email:magnetics@spang.com



Permeability ( $\mu$ )	$A_L$ (nH/T <sup>2</sup> )
125	157 ± 8%

Dimensions (mm)		
	Uncoated	Coated
O.D. (A)	26.9 nom	27.69 max
I.D. (B)	14.7 nom	14.09 min
Ht. (C)	11.2 nom	11.94 max

Markings		
XXXXXX	58930A2	X
Lot Number	Part Number	Inductance Grade

Physical Characteristics					
$W_A$ (mm <sup>2</sup> ) Window Area	$A_e$ (mm <sup>2</sup> ) Cross Section	$L_e$ (mm) Path Length	$V_e$ (mm <sup>3</sup> ) Volume	Weight (grams)	Box Quantity (pieces)
156	65.4	63.5	4,150	33.8	400

Winding Turn Length (mm)	
Winding Factor	Length/Turn
100% (Unity)	52.3
60%	46.6
40%	41.0
20%	38.5
0%	37.6

Wound Coil Dimensions (mm)	
Maximum O.D. (u.w.f.)*	37.3
Maximum HT. (u.w.f.)*	24.0

\*u.w.f. – unity winding factor

Surface Area (mm <sup>2</sup> )	
Unwound Core	2,470
40% Winding Factor	3,380

