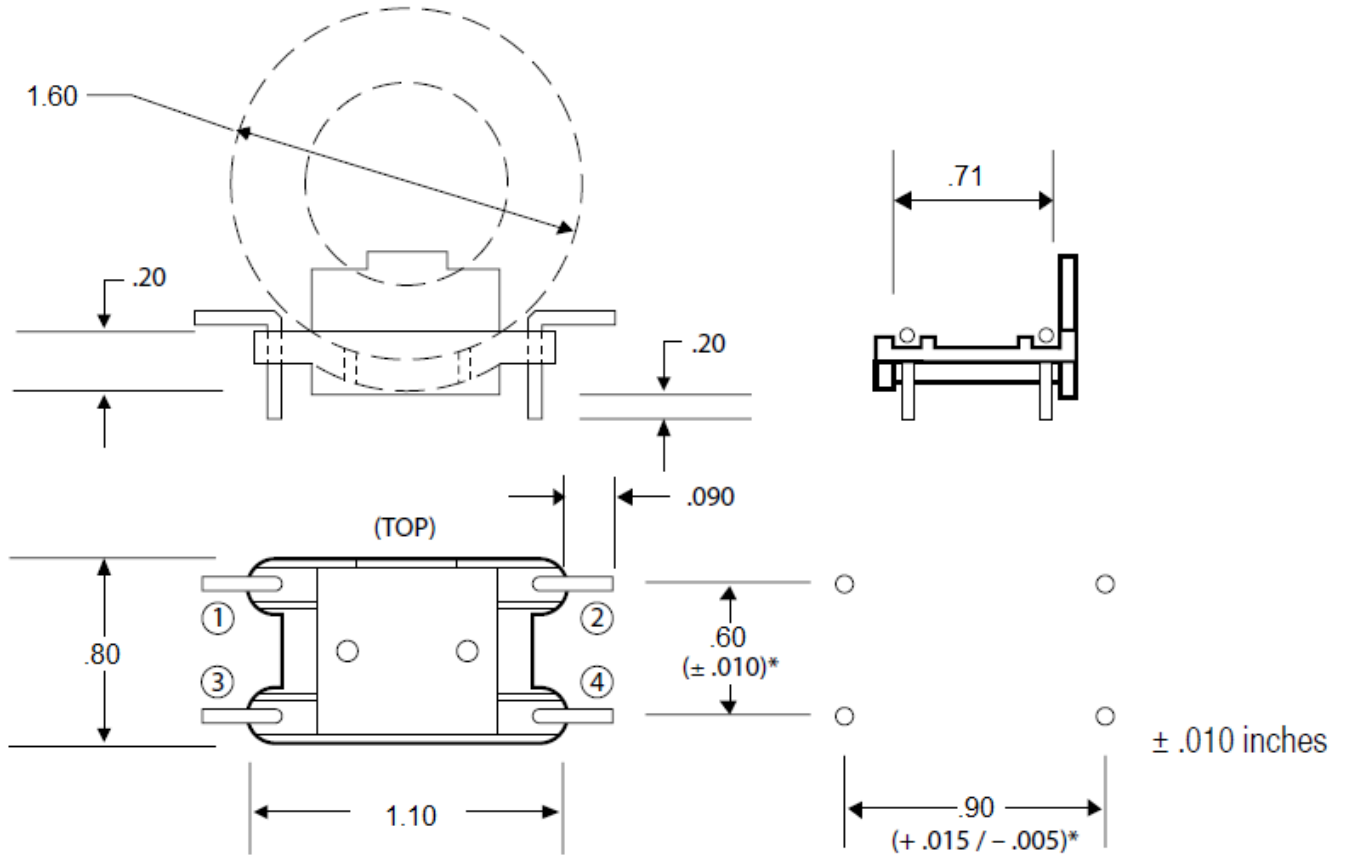




Specification for:
TVH38134A

110 Delta Drive
Pittsburgh, PA 15238
Phone: 412/696-1333
Fax: 412/696-0333
Email:magnetics@spang.com



MATERIAL

Bobbin Material: GFN(NATURAL); UL 94 V-0, Class F
Pin Material: Copper wire; 100% Tin plated.

REMARKS

Toroidal vertical mount bobbin
Intended core outside diameter to be 1.20"
Revision -

Revision 10/10/2013