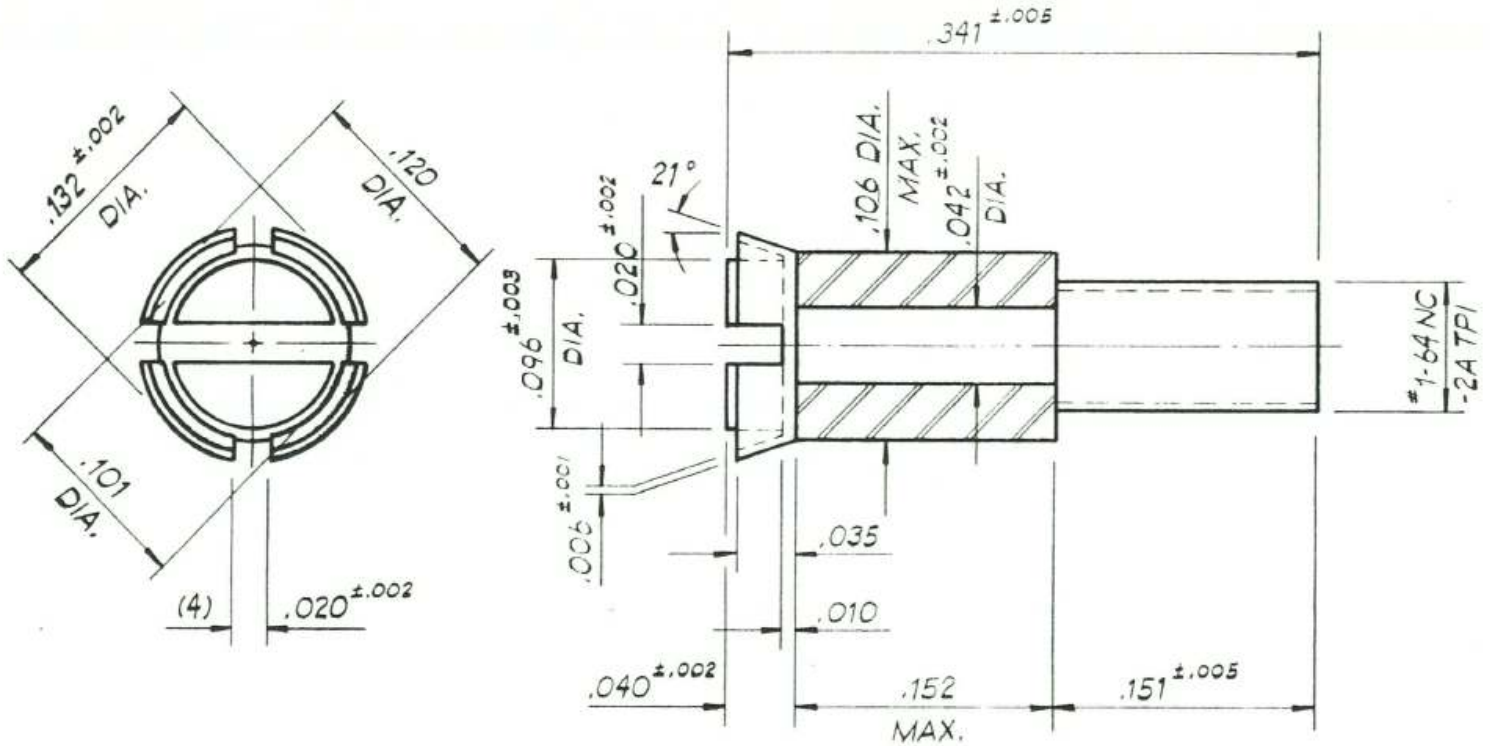




Specification for:
TCA1812C2

110 Delta Drive
Pittsburgh, PA 15238
Phone: 412/696-1333
Fax: 412/696-0333
Email: magnetics@spang.com



MATERIAL

Material: Delrin; Color Green

REMARKS

Revision -