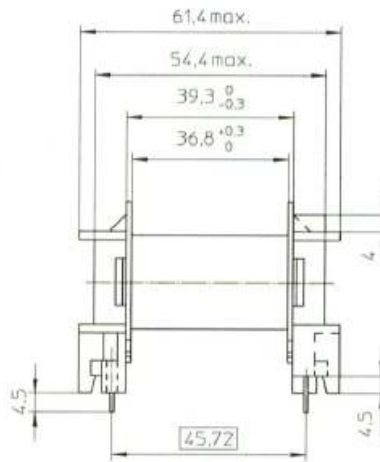
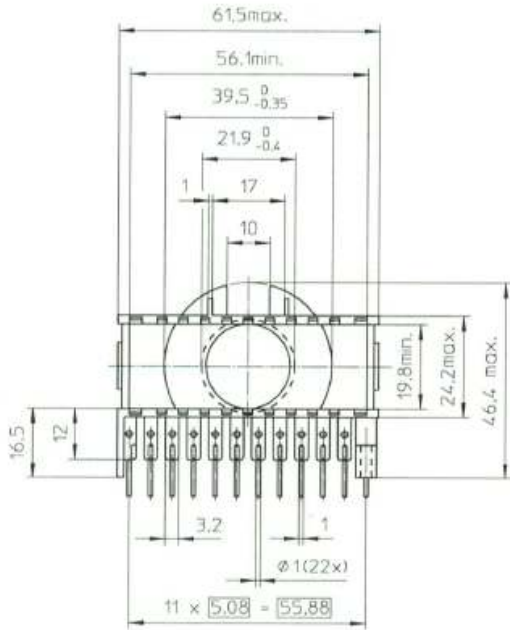


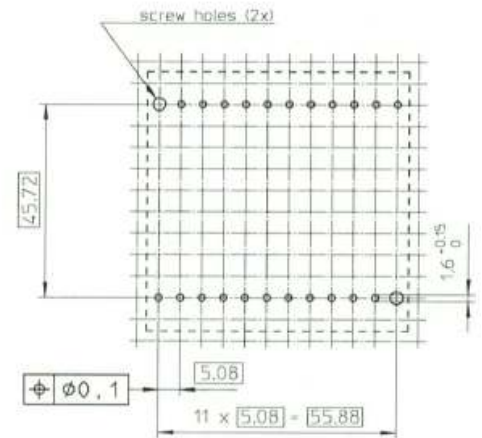
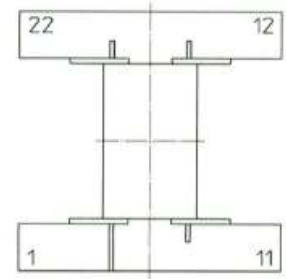


Specification for:  
**PCB5454B1**

110 Delta Drive  
 Pittsburgh, PA 15238  
 Phone: 412/696-1333  
 Fax: 412/696-0333  
 Email: magnetics@spang.com



PIN ARRANGEMENT:



**MATERIAL**

Material: Valox 420SEO (PBT), glass-reinforced

UL file number: E45329 – UL94V-0

Pin Material: CuSn – Ni Flash, Sn plated

**REMARKS**

Revision -