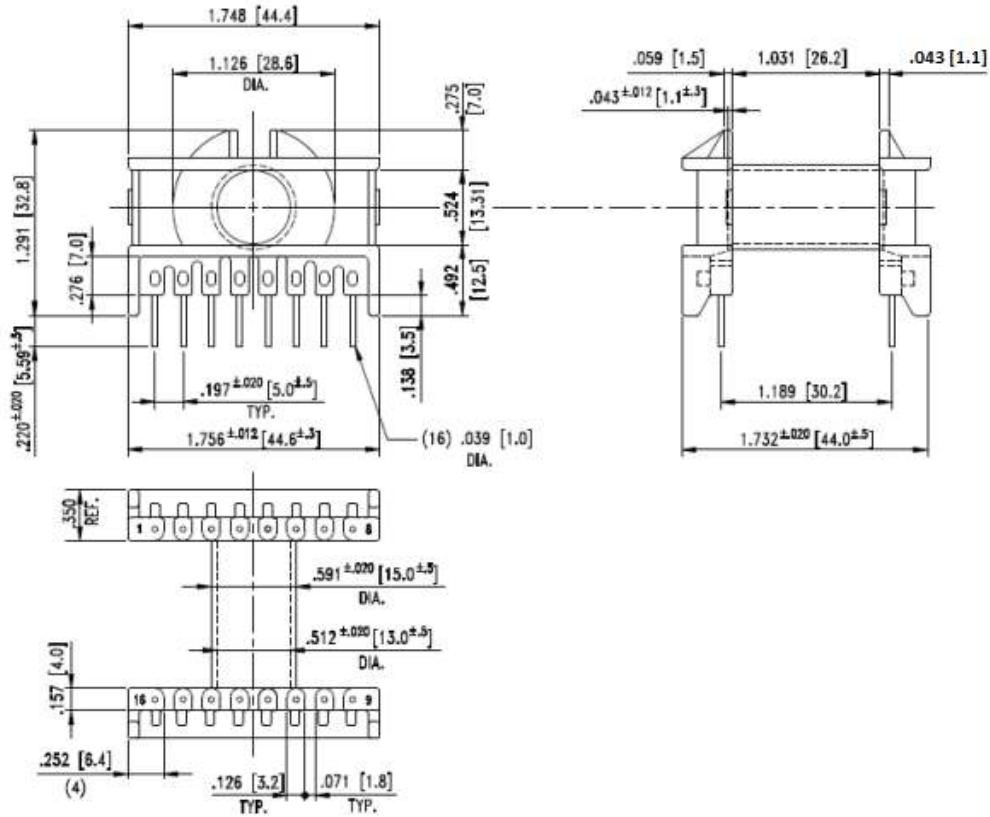




Specification for:
PCB3939SB

110 Delta Drive
Pittsburgh, PA 15238
Phone: 412/696-1333
Fax: 412/696-0333
Email:magnetics@spang.com



MATERIAL

Bobbin Material: Chang Chung Plastics Phenolic T357J; UL 94 V-0
Terminal Material: CP Wire

REMARKS

ETD-39 PC BOBBIN
Revision D