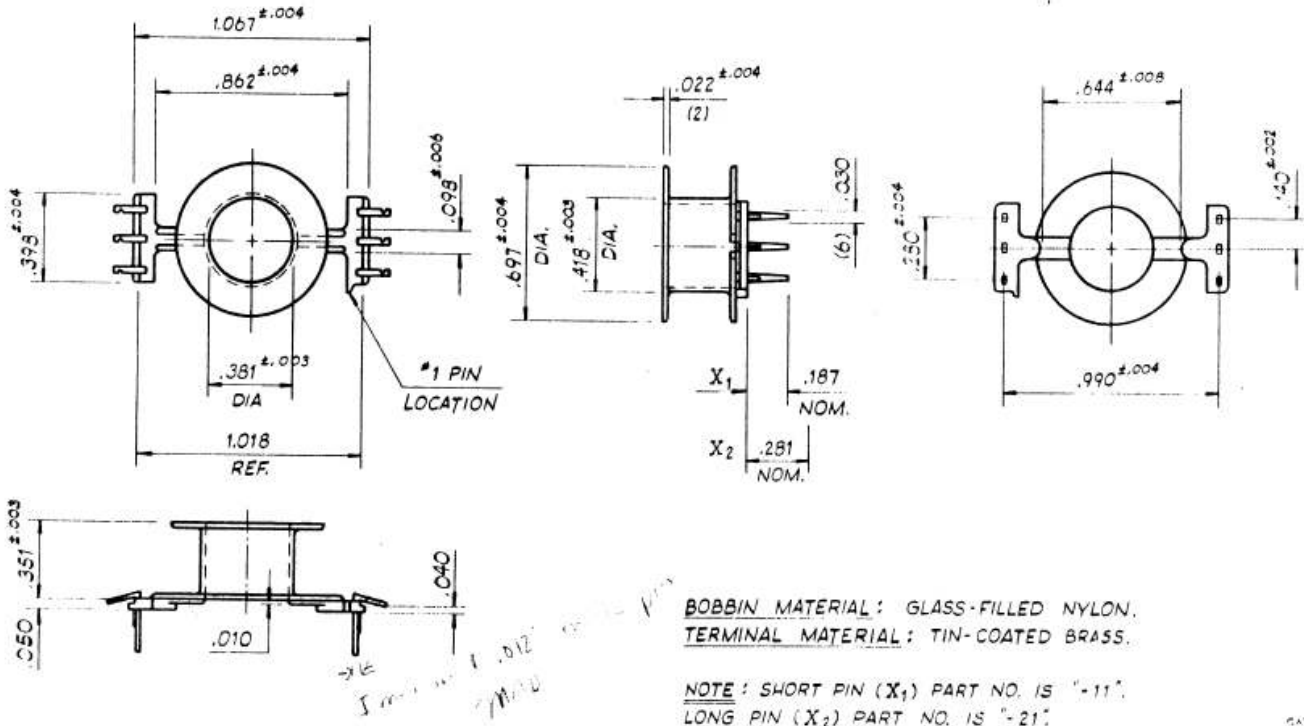




Specification for:
PCB2213-11

110 Delta Drive
 Pittsburgh, PA 15238
 Phone: 412/696-1333
 Fax: 412/696-0333
 Email:magnetics@spang.com



MATERIAL

Material: Generic Glass Filled Nylon

REMARKS

Revision None