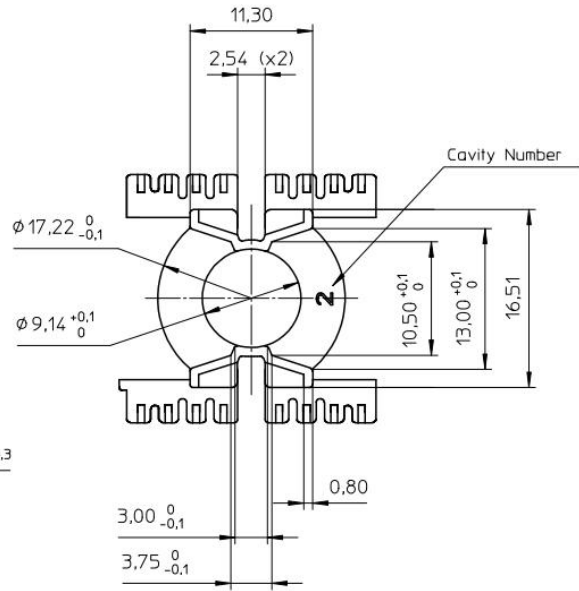
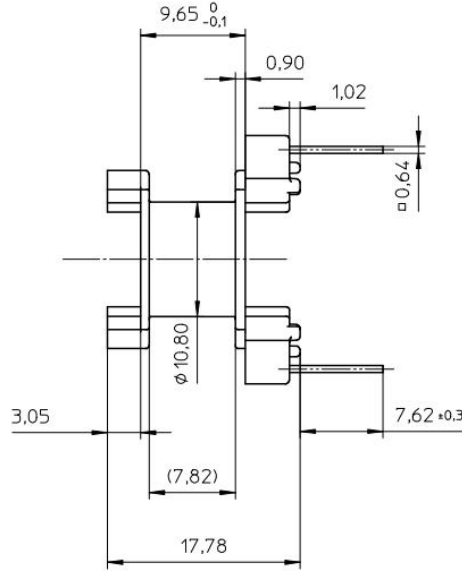
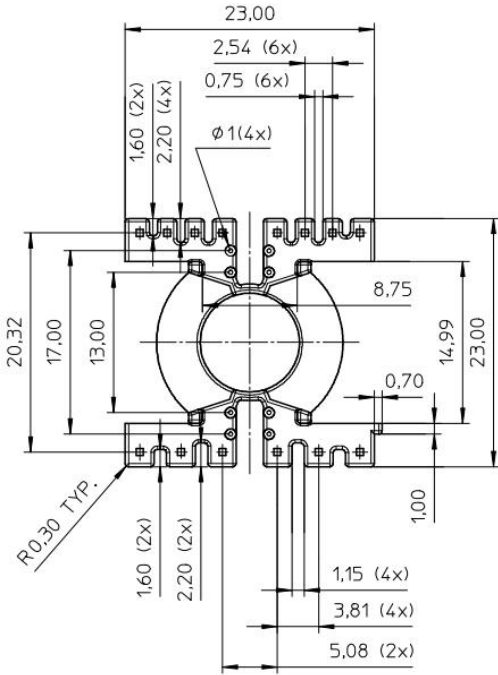




Specification for:
PCB2016FC

110 Delta Drive
 Pittsburgh, PA 15238
 Phone: 412/696-1333
 Fax: 412/696-0333
 Email:magnetics@spang.com



MATERIAL

Material: DuPont Rynite FR530; UL File # E41938 Pin: Cu-plated steel wire, Sn plated

REMARKS