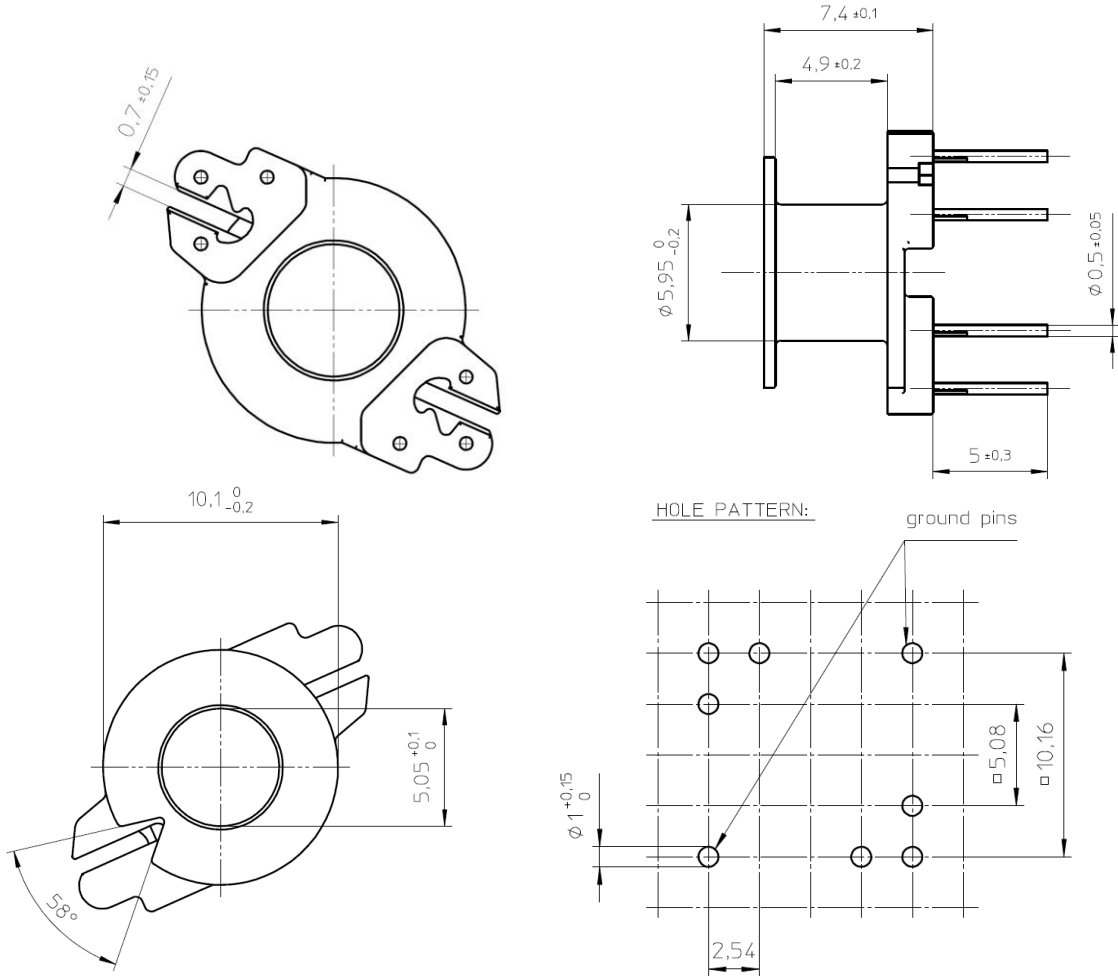




Specification for:  
**PCB1510B1**

110 Delta Drive  
 Pittsburgh, PA 15238  
 Phone: 412/696-1333  
 Fax: 412/696-0333  
 Email:magnetics@spang.com



**MATERIAL**

Material: Sumikon PM9630, glass reinforced, UL94V-0 rated  
 Pin Material: Copper-plated steel wire, Sn plated

**NOTES**

Mean Length per Turn = 24.9 mm  
 Minimum Winding Area = 9.25 mm<sup>2</sup>

**REVISIONS**

Revision -