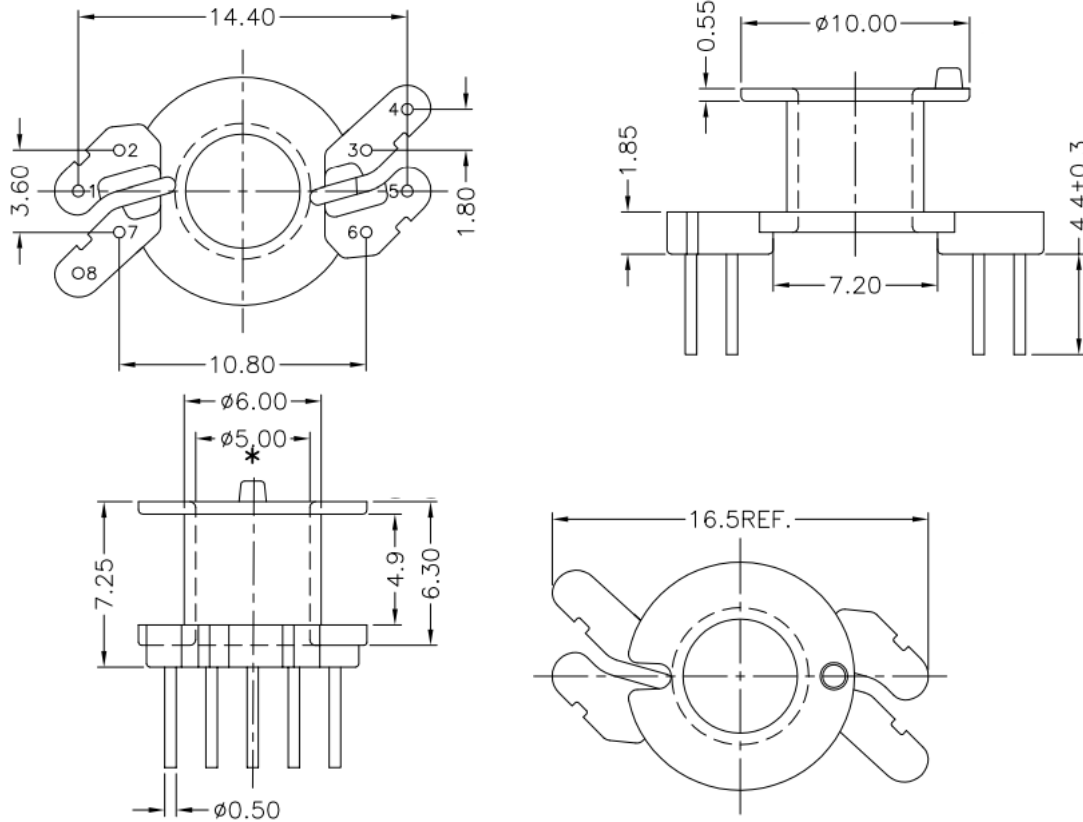




Specification for:
PCB15108A

110 Delta Drive
 Pittsburgh, PA 15238
 Phone: 412/696-1333
 Fax: 412/696-0333
 Email:magnetics@spang.com



MATERIAL

Material: Phenolic PM9630, UL94V-0 rated

Pin Material: CP Wire

TOLERANCES

Unless otherwise noted, tolerances are as follows:

$0 < L \leq 4 \quad \pm 0.1$

$4 < L \leq 16 \quad \pm 0.2$

Pin Pitch ± 0.2

REVISIONS

Revision -