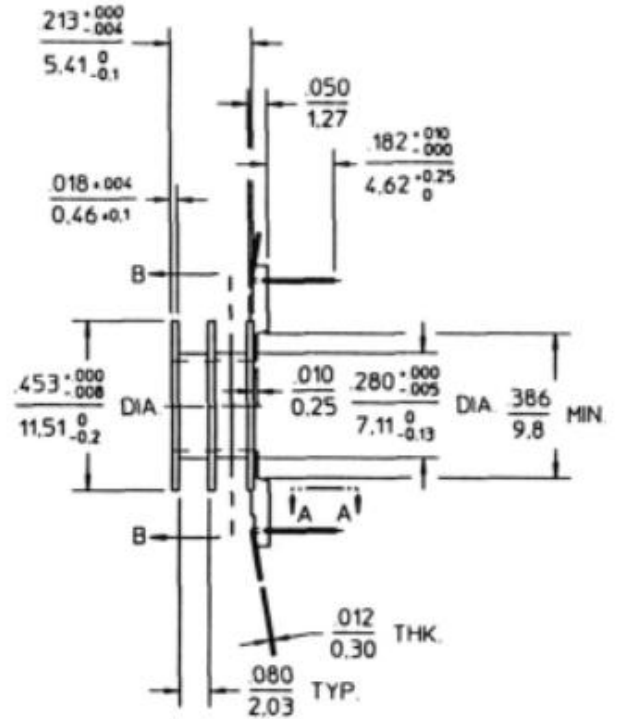
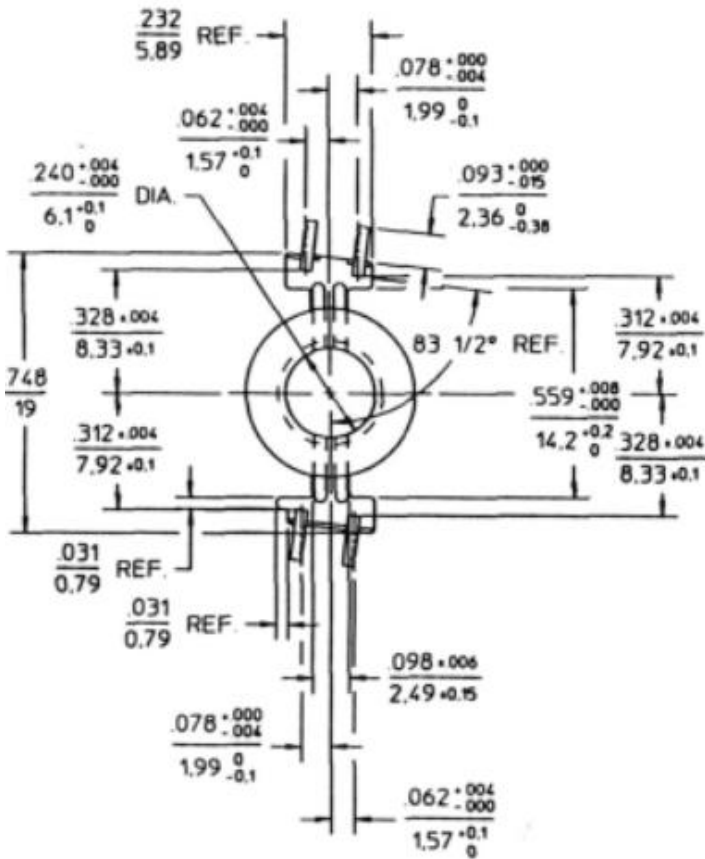




Specification for:
PCB1408-TA

110 Delta Drive
 Pittsburgh, PA 15238
 Phone: 412/696-1333
 Fax: 412/696-0333
 Email:magnetics@spang.com



MATERIAL

Material: DuPont Zytel FR50; UL File Number E41938

Pin Material: Tin-Coated Brass

REMARKS