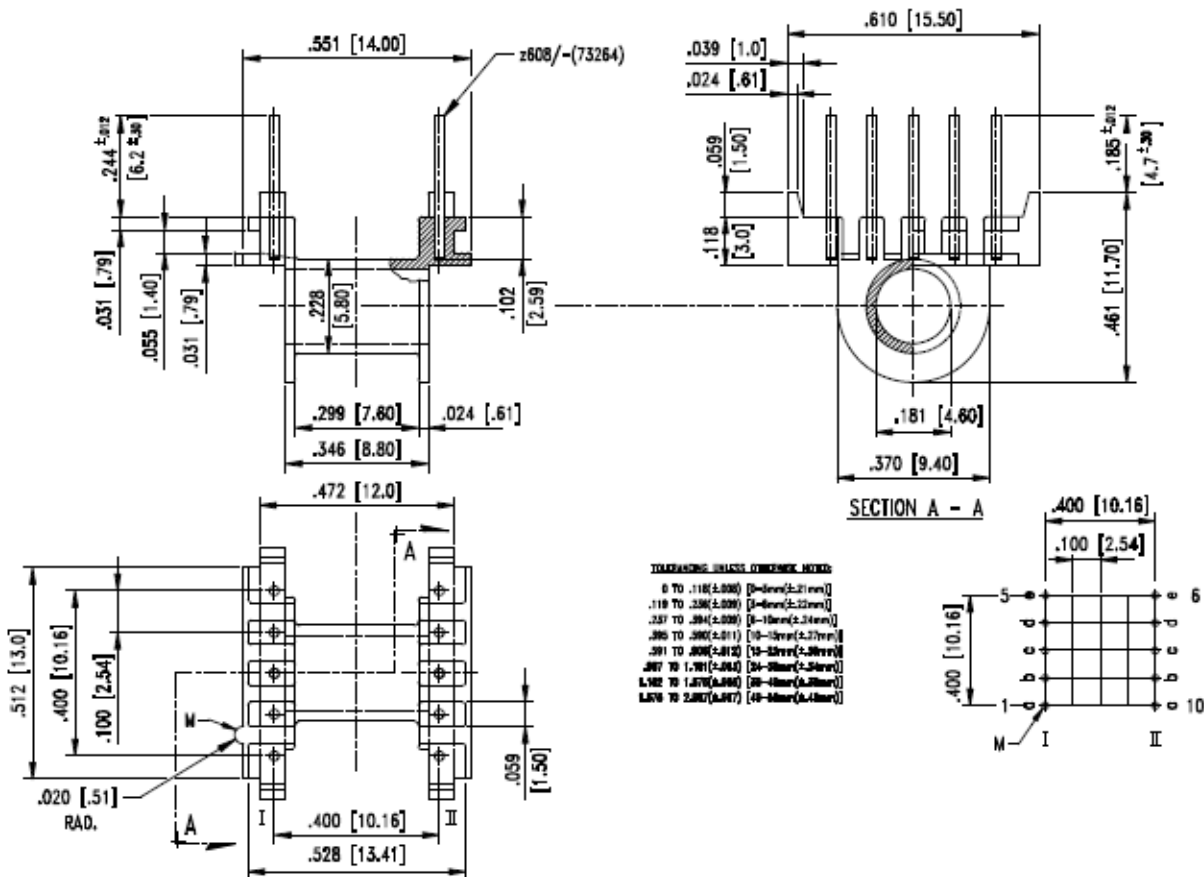




Specification for:
PCB1313B1

110 Delta Drive
 Pittsburgh, PA 15238
 Phone: 412/696-1333
 Fax: 412/696-0333
 Email:magnetics@spang.com



MATERIAL

Bobbin Material: gfr Polyethylene Terephthalate PET (rtg) UL 94 V0
 Terminal Material: Tin Bronze Tinned

REMARKS

EP-13 PC Bobbin
 Revision A