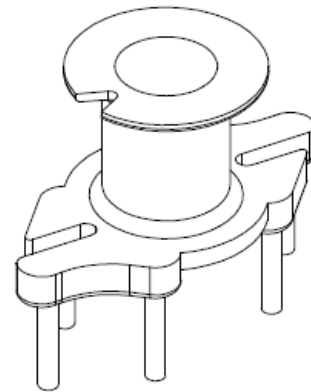
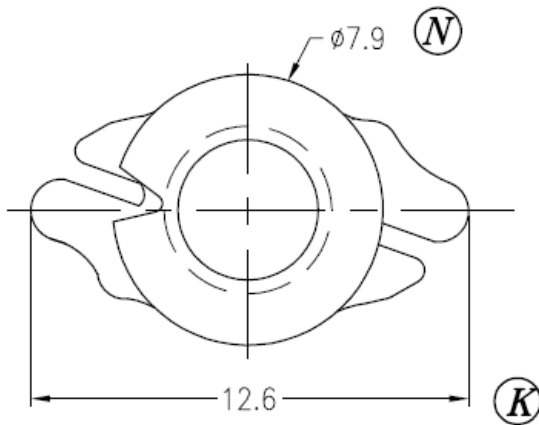
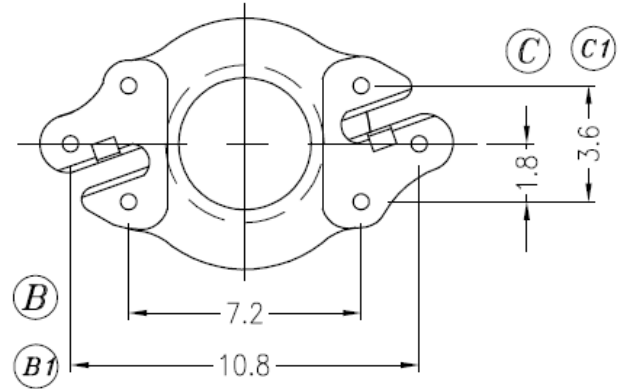
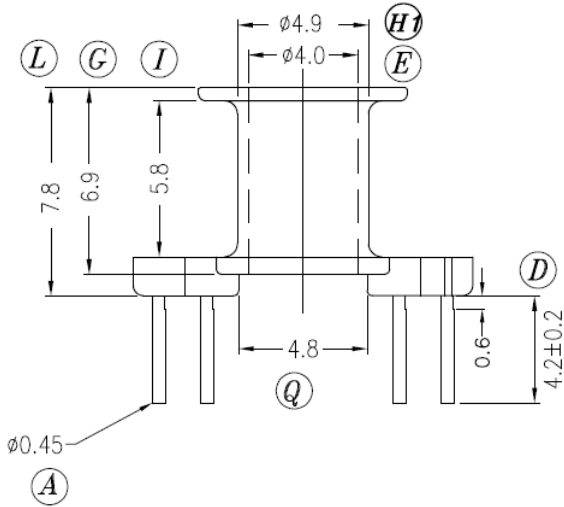




Specification for:
PCB11104C

110 Delta Drive
Pittsburgh, PA 15238
Phone: 412/696-1333
Fax: 412/696-0333
Email: magnetics@spang.com



MATERIAL

Bobbin Material: Phenolic PM-9630 UL94V-0 Rated
Pin Material: Copper Plated Steel

REMARKS

Revision -