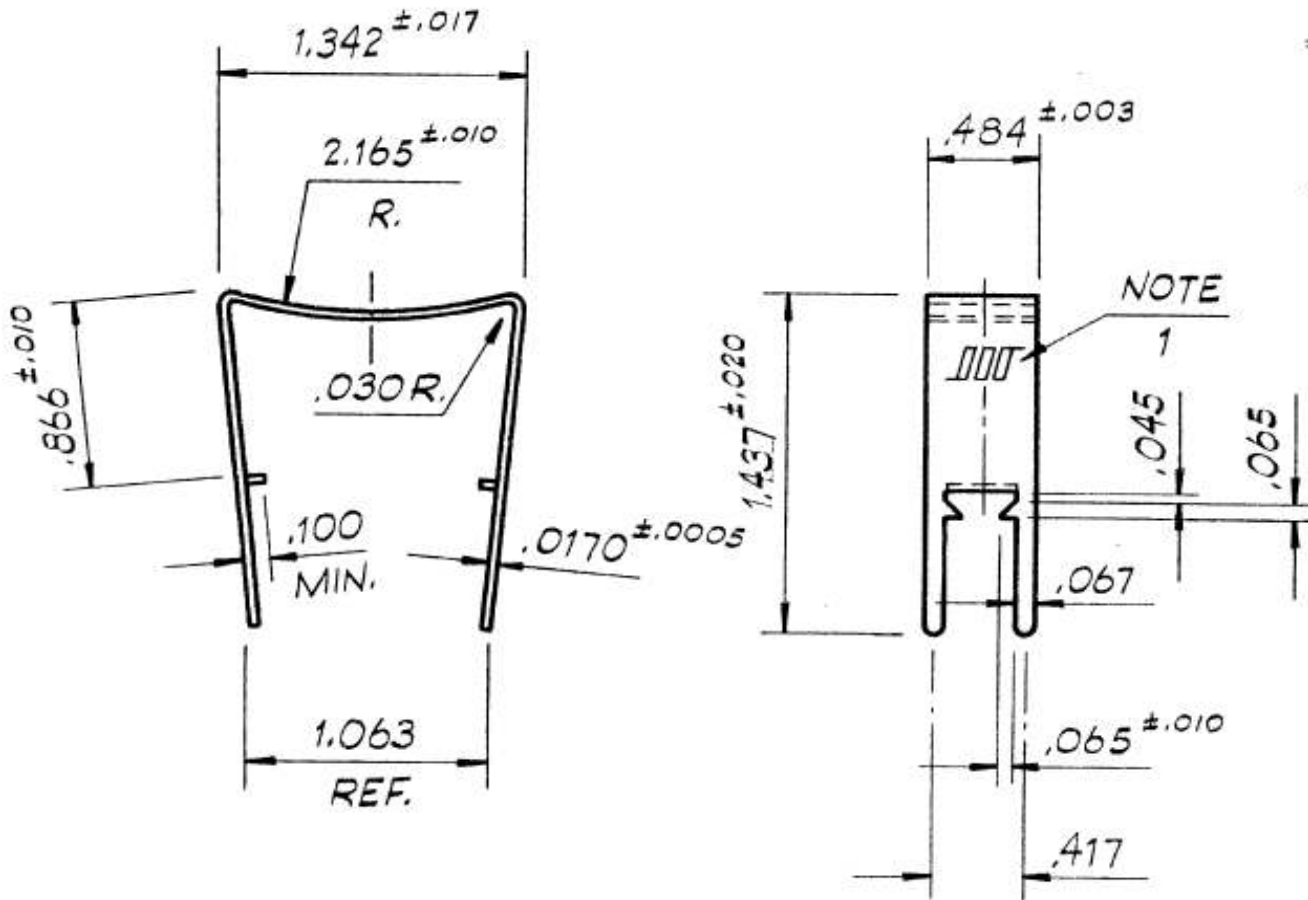




Specification for:
00C322017

110 Delta Drive
Pittsburgh, PA 15238
Phone: 412/696-1333
Fax: 412/696-0333
Email:magnetics@spang.com



MATERIAL

Material: Nickel Silver

REMARKS

Note 1: Parts to be stamped with Magnetics' logo (Max HT 3/16")

Revision B