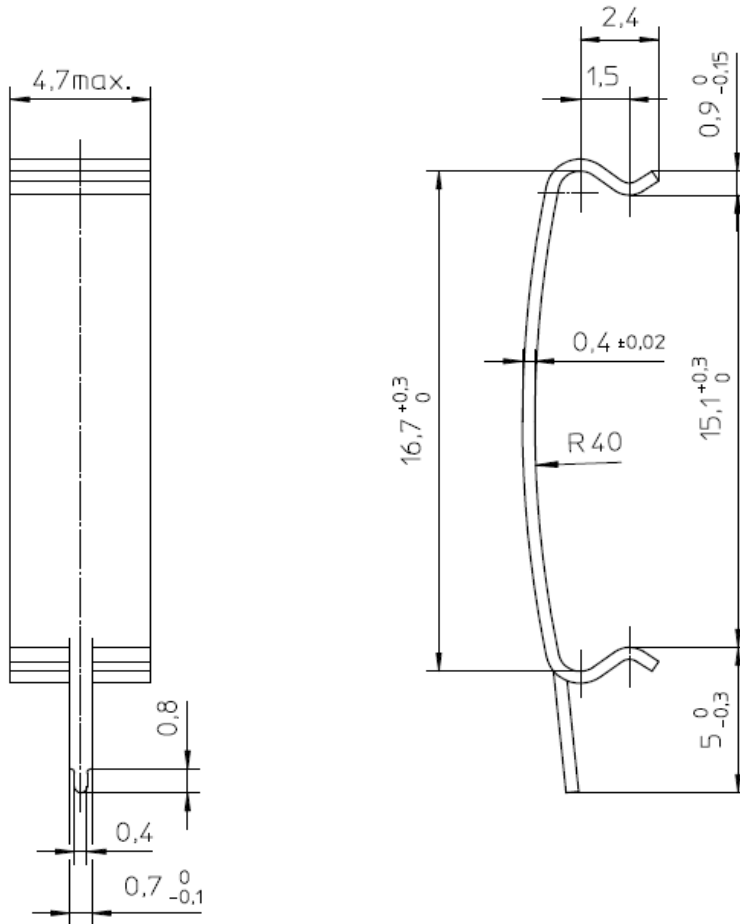




Specification for:
00C2819B1

110 Delta Drive
Pittsburgh, PA 15238
Phone: 412/696-1333
Fax: 412/696-0333
Email:magnetics@spang.com



MATERIAL

Material: Corrosion Resisting Steel X12 CrNi – Ni Flash, Sn Plated

REMARKS

Revision -