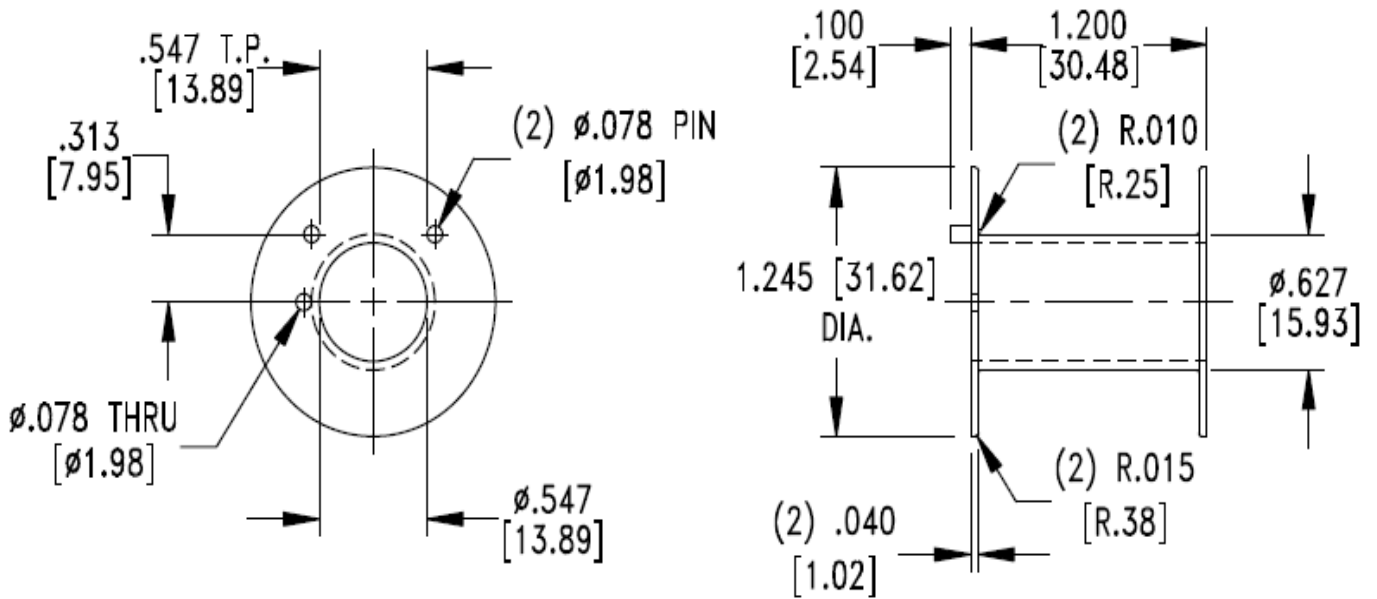




Specification for:
00B5224B1

110 Delta Drive
Pittsburgh, PA 15238
Phone: 412/696-1333
Fax: 412/696-0333
Email:magnetics@spang.com



MATERIAL

Material: Glass Filled Polyethylene Terephthalate

REMARKS

EC-52 Bobbin
Revision B