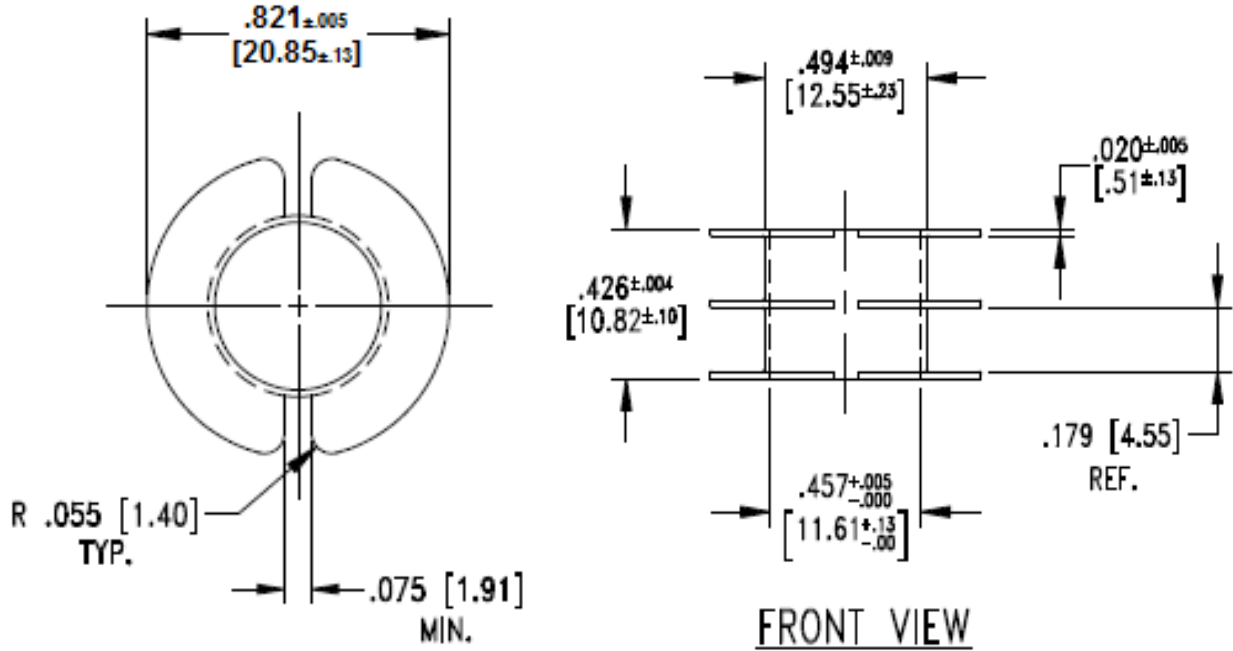




Specification for:  
**00B261602**

110 Delta Drive  
Pittsburgh, PA 15238  
Phone: 412/696-1333  
Fax: 412/696-0333  
Email:magnetics@spang.com



### MATERIAL

Material: Delrin

### REMARKS

26/16 Bobbin  
Revision E

Revision 5/10/2019