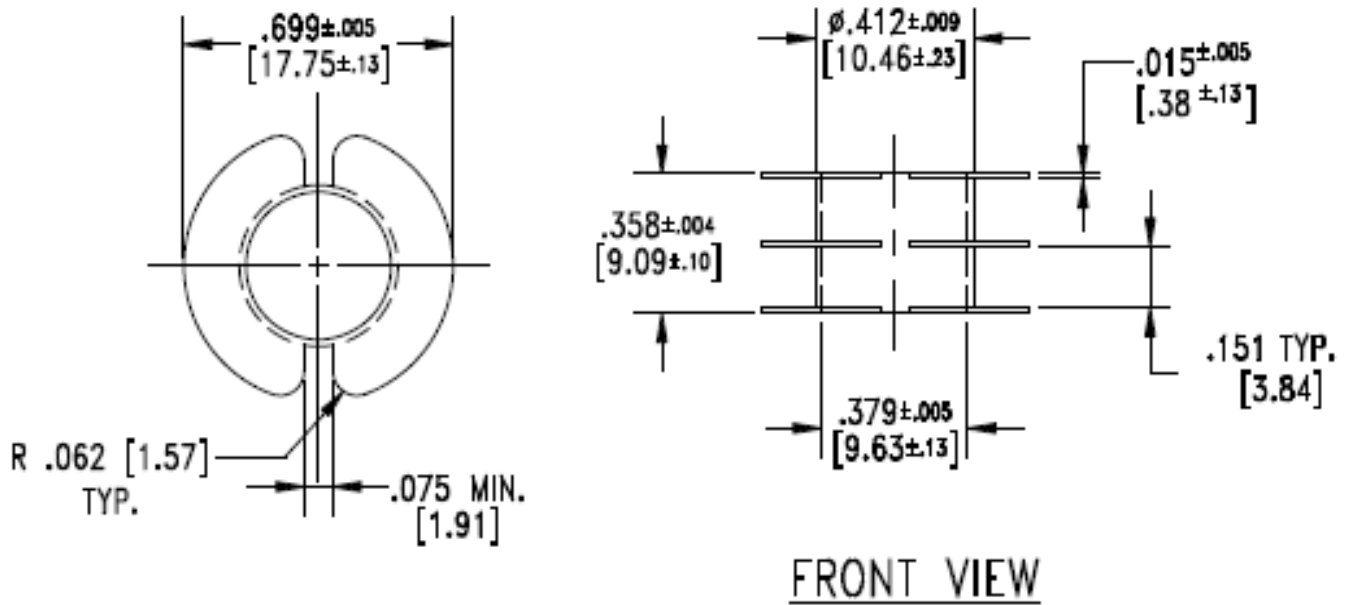




Specification for:
00B221302FR

110 Delta Drive
Pittsburgh, PA 15238
Phone: 412/696-1333
Fax: 412/696-0333
Email:magnetics@spang.com



MATERIAL

Material: Crastin UL 94 V0

REMARKS

Pot Core 22/13 Bobbin
Revision C

Revision 10/10/2013