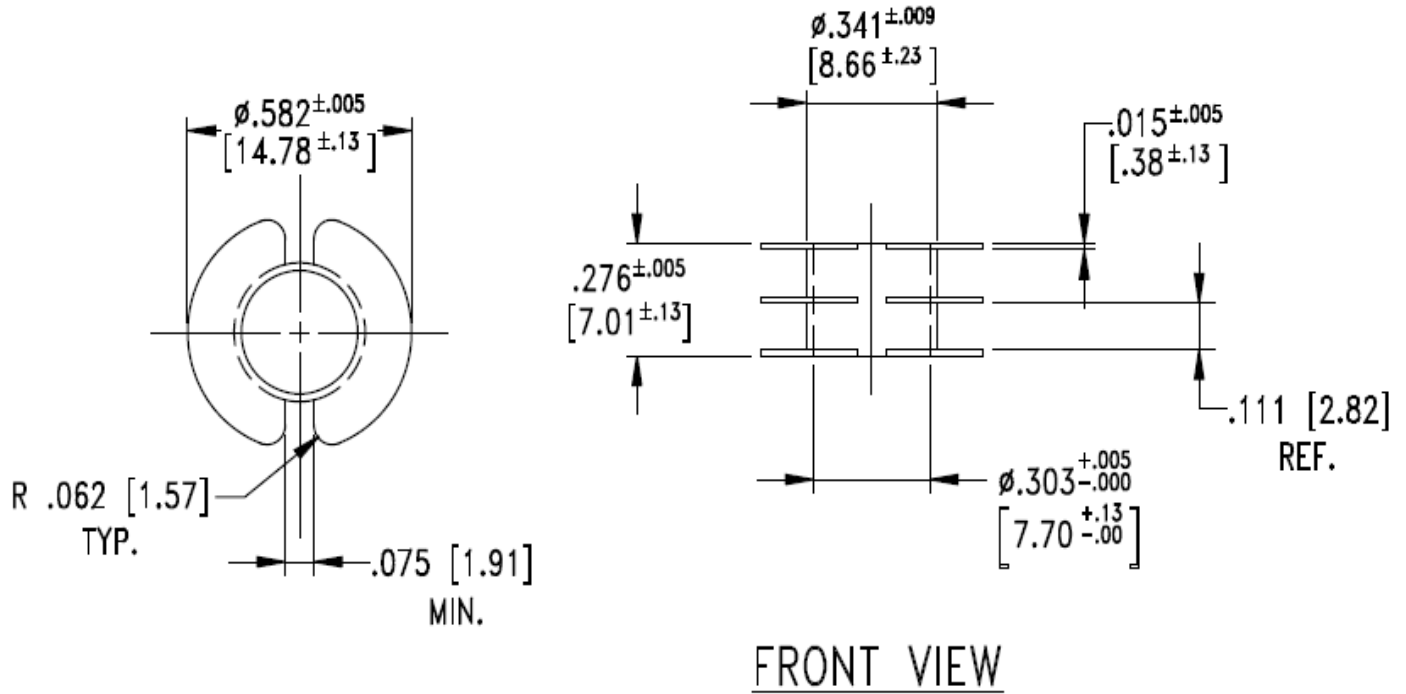




Specification for:  
**00B181102FR**

110 Delta Drive  
Pittsburgh, PA 15238  
Phone: 412/696-1333  
Fax: 412/696-0333  
Email:magnetics@spang.com



**MATERIAL**

Material: Crastin S650FR

**REMARKS**

18/11 Bobbin  
Revision C

Revision 2/17/2015