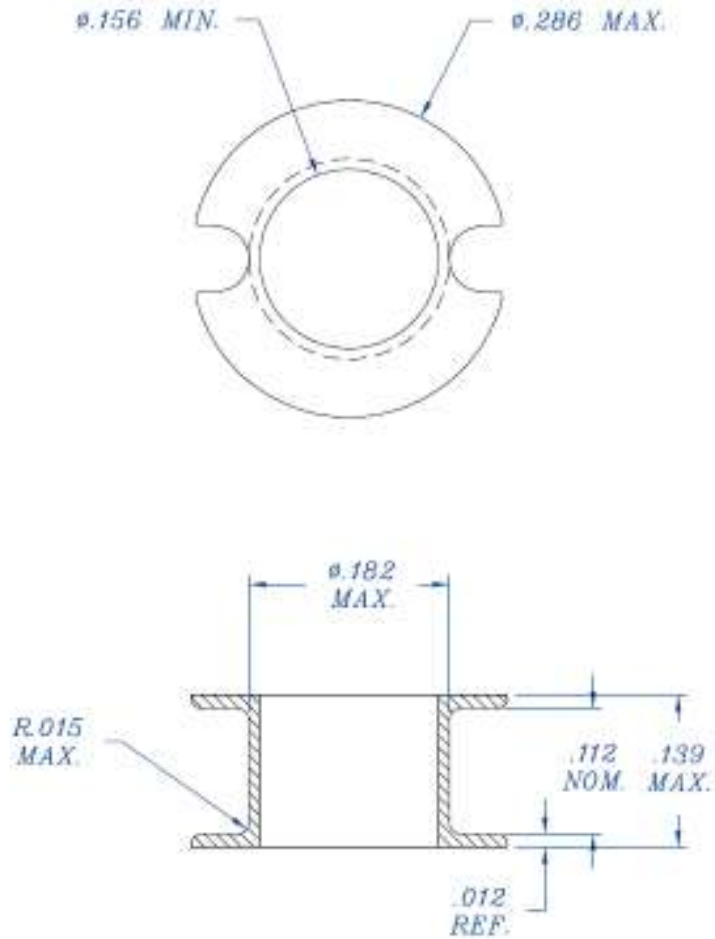




Specification for:  
**00B090501**

110 Delta Drive  
Pittsburgh, PA 15238  
Phone: 412/696-1333  
Fax: 412/696-0333  
Email:magnetics@spang.com



### MATERIAL

Material: Acetal 94 HB Rated

### REMARKS

Revision -

Revision 10/10/2013