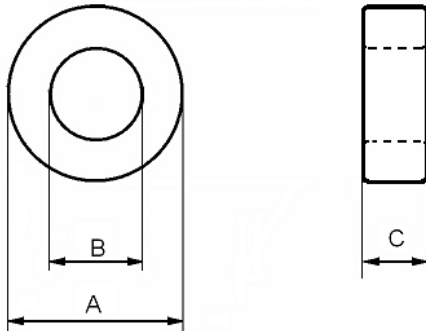




# C055195A2

110 Delta Drive  
 Pittsburgh, PA 15238  
 Phone: 412/696-1333  
 Fax: 412/696-0333  
 Email: magnetics@spang.com



Permeability ( $\mu$ )	$A_L$ (nH/T <sup>2</sup> )	Nominal DC Resistance (Ohms/mH)	B/NI Gauss per Amp. Turn
125	287 $\pm$ 8%	0.0121	12.6 (<1500 gauss)

Dimensions (mm)		
	Uncoated	Coated
O.D. (A)	57.2 nom	58.04 max
I.D. (B)	26.4 nom	25.57 min
Ht. (C)	15.2 nom	16.13 max

Markings		
XXXXXX	55195A2	N/A
Lot Number	Part Number	Inductance Grade

Physical Characteristics					
$W_A$ (mm <sup>2</sup> ) Window Area	$A_e$ (mm <sup>2</sup> ) Cross Section	$L_e$ (mm) Path Length	$V_e$ (mm <sup>3</sup> ) Volume	Weight (grams)	Box Quantity (pieces)
514	229	125.1	28,600	240	80

Winding Turn Length (mm)	
Winding Factor	Length/Turn
100% (Unity)	90.2
60%	83.5
40%	76.2
20%	70.1
0%	64.6

Wound Coil Dimensions (mm)	
Maximum O.D. (u.w.f.)*	75.7
Maximum HT. (u.w.f.)*	34.0

\*u.w.f. – unity winding factor

Surface Area (mm <sup>2</sup> )	
Unwound Core	9,100
40% Winding Factor	11,500

